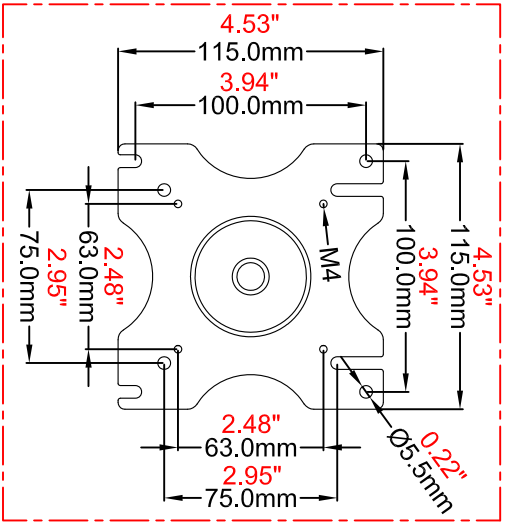


Rev.	Changing contents	Member	Date	Tolerances: (MM)
				0-(30) ±0.30
				30-(120) ±0.40
				120-(315) ±0.50
				315-(1000) ±0.80
				1000-(2000) ±1.20
				2000 < ±1.80
				Angle Tol. ±0.5°
				H/D/Is. ±0.30



**ZILLA**

2009 Zilla Technology Co., Ltd.  
All rights reserved.  
Content is subject to change  
without notification.

PRT Name: 桌上型双关节双座工程图	Rev: NR
DWG NO: GT3-2X580	Url: mmftech
Scale: Third Angle Projection	Material:
Drawn By: Geng 2015/06/18	Thickness:
Checked By:	S/Treatment:
Approved By:	